






# What is New in CADbro 2019



# Outline

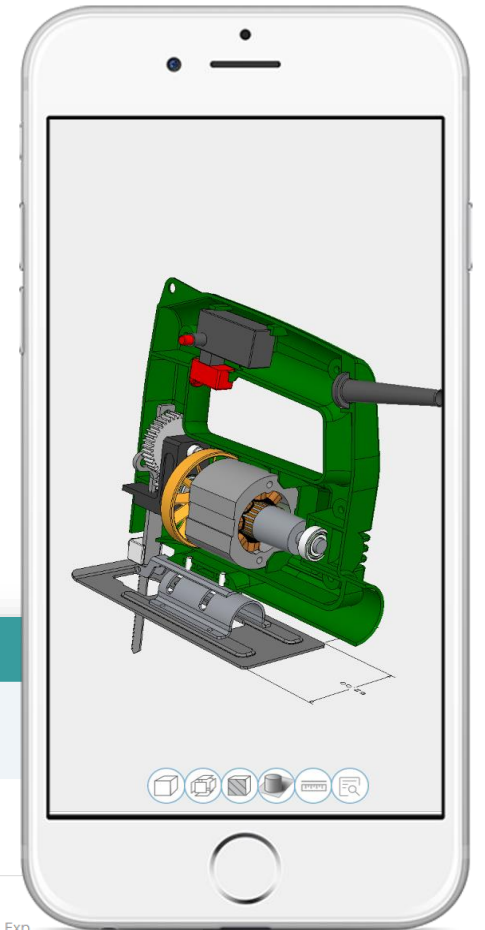
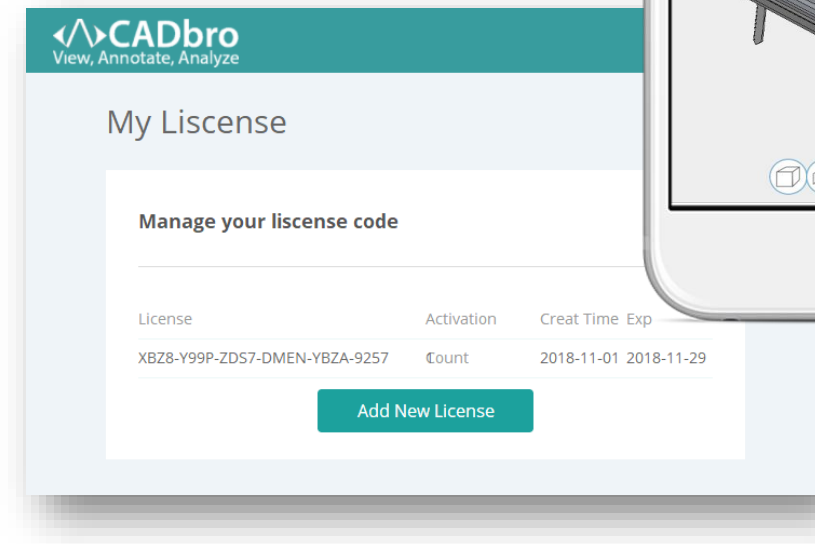
---

-  Value-added CADbro Cloud
-  Updated Solid Part Comparison
-  Enhanced Quick View
-  Upgraded 2D Drawing
-  Misc.


# Value-Added CADbro Cloud



## Benefits

- View 3d models on the go, on any device
- Manage & share files in the cloud
- Uniform the configuration easily
- Provide 1-year online service for FREE



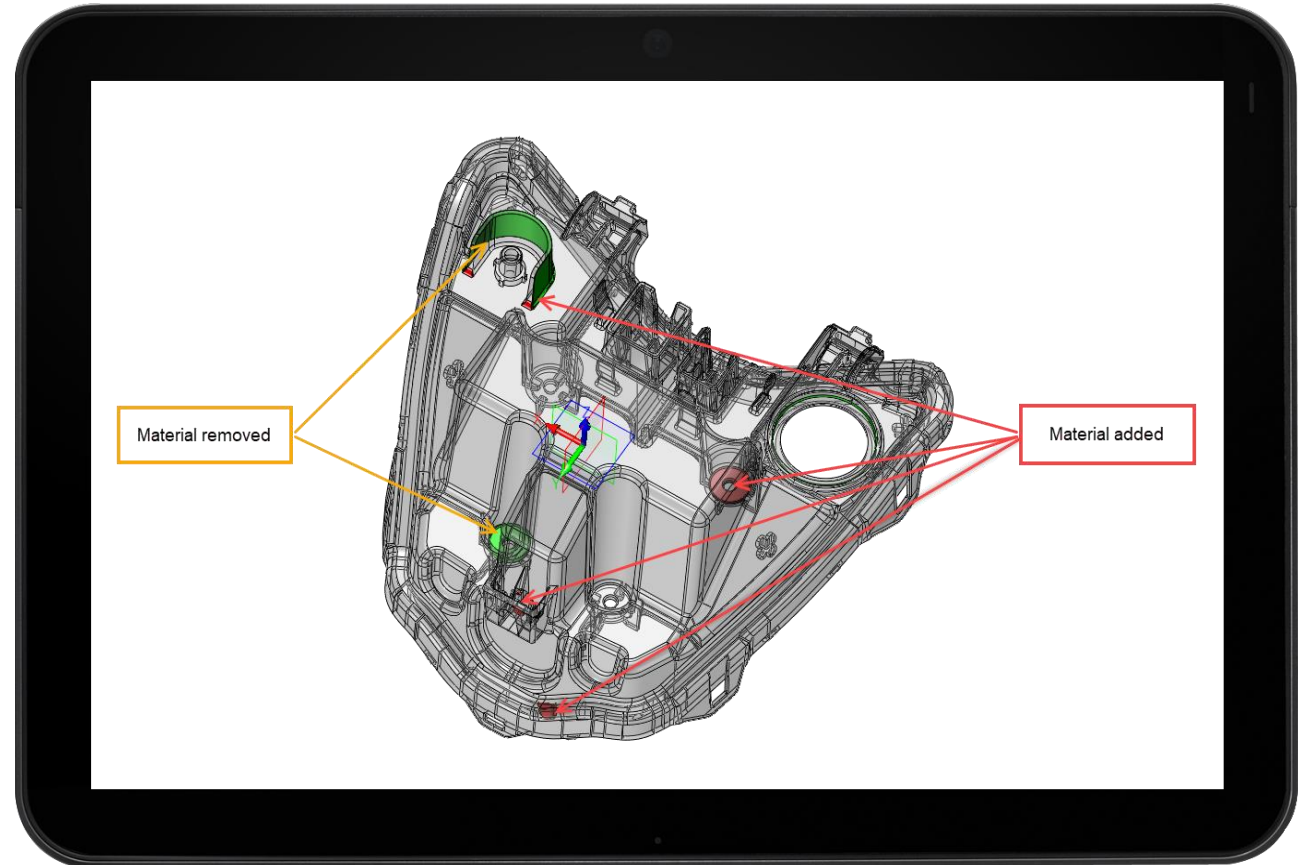
# Online Functions in Different Devices



	Web Browser 	CADbro 
Account Management	√	
File Management	√	√
File Viewing	√	√
File Sharing	√	√
File Recycle		√
Configuration Upload		√
Data Upload		√

# Updated Solid Part Comparison

- Find out the modifications more easily
- Compared results can be exported for further modifications.



# Enhanced Quick View

- Improve the import quality of Quick View
- Imported graphics data including shape, face and edge
- Support selecting, measuring and adding dimensions in graphic data

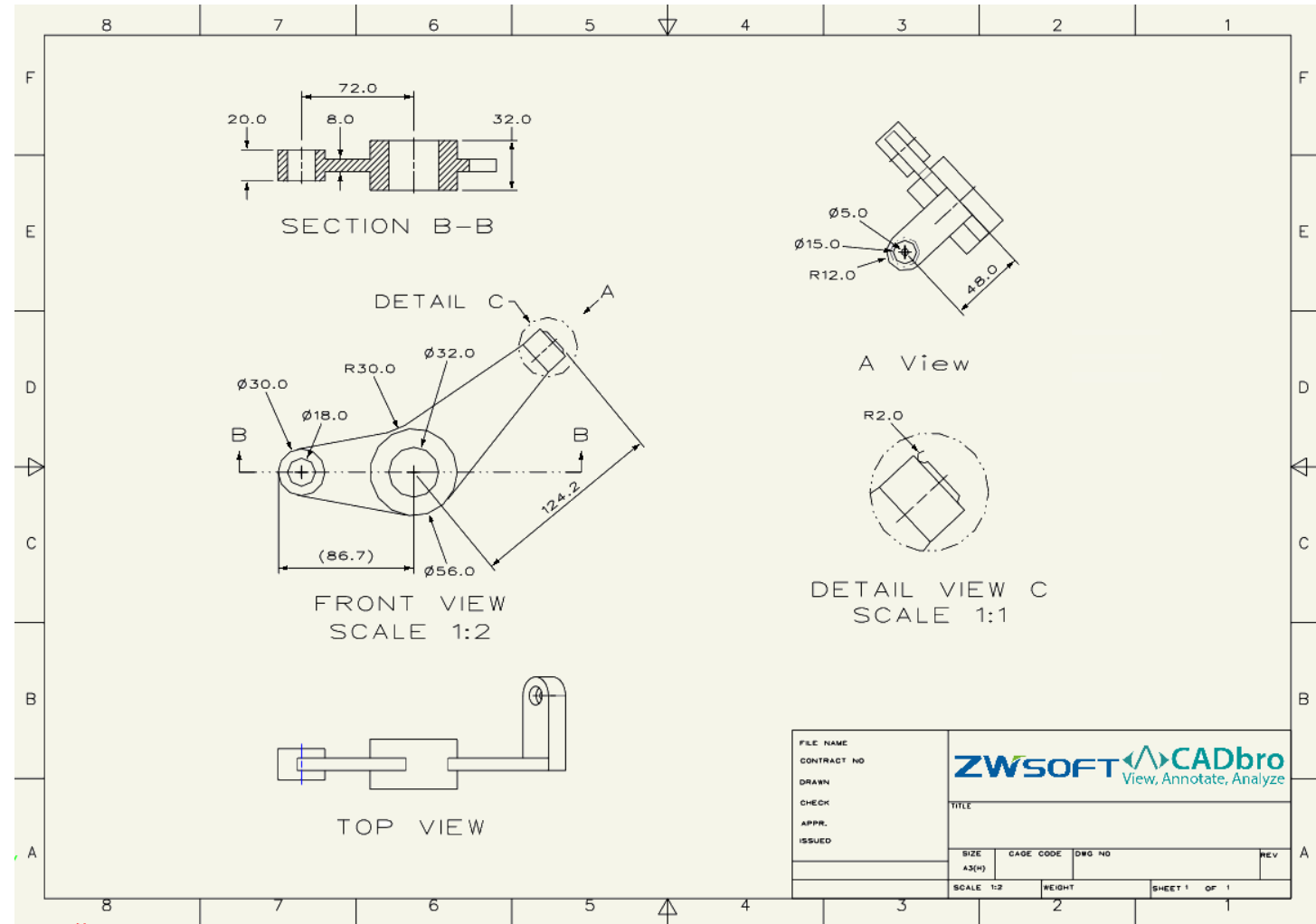
Supported File Formats	
Catia V4 (*.model, *.exp, *.session)	Solidworks (*.sldprt, *.sldasm)
Catia V5 (*.CATPart, *.CATProduct)	Solidedge (*.prt, *.asm, *.psm)
Inventor (*.ipt, *.iam)	Graphic format (*.cgr, *.xcgm, *.3dxml)
NX (*.prt)	ACIS (*.sat, *.sab, *.asat, *.asab)
Creo (*.prt, *.asm)	JT (*.jt)



# Upgraded 2D Drawing

- Add more types of view

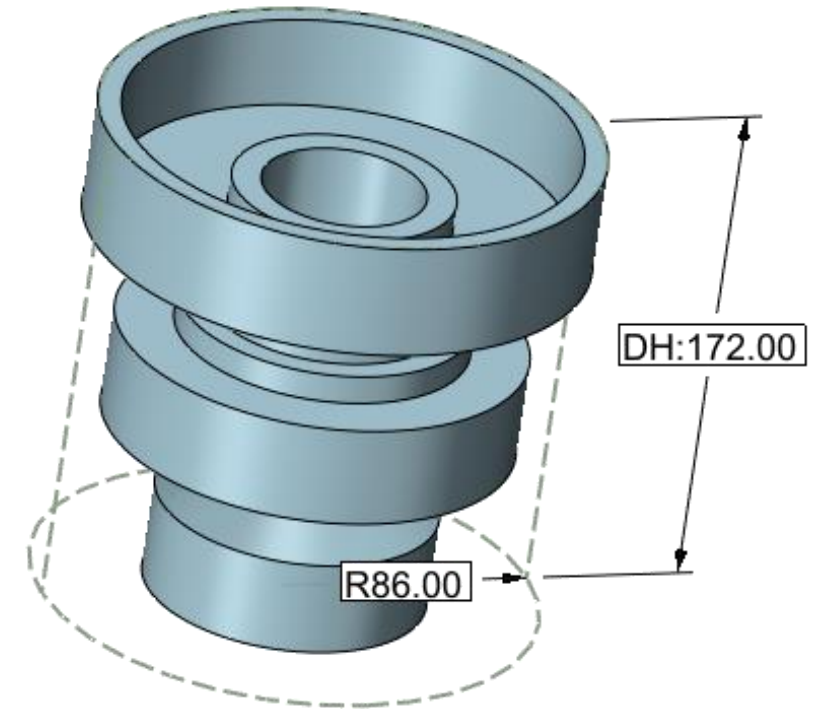
- 1) Standard view
- 2) Projection view
- 3) Auxiliary view
- 4) Full section view
- 5) Detail view
- 6) Crop view



# Misc.

## Support:

- Measuring Cylindrical bounding
- Outputting more dimension types in 3D PDF
- Adding password of HTML files
- Importing DWG file with 3D model
- Adjusting icon for more clear workflow





# Thanks

Follow Us



## ZWSOFT

Add: Room 01-08, 32/F,  
No. 15 Zhujiang West Road,  
Tianhe District, Guangzhou,,  
510623, China

Tel: +86-20-38289780

Fax: +86-20-38288676

Email: sales@zsoft.com

## CADbro R&D Center (USA)

Add: 327 New Haven Avenue,  
Suite 304, Melbourne, FL  
32901, USA

Email: cadbro@zsoft.com